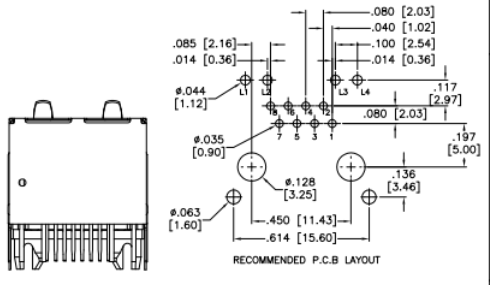
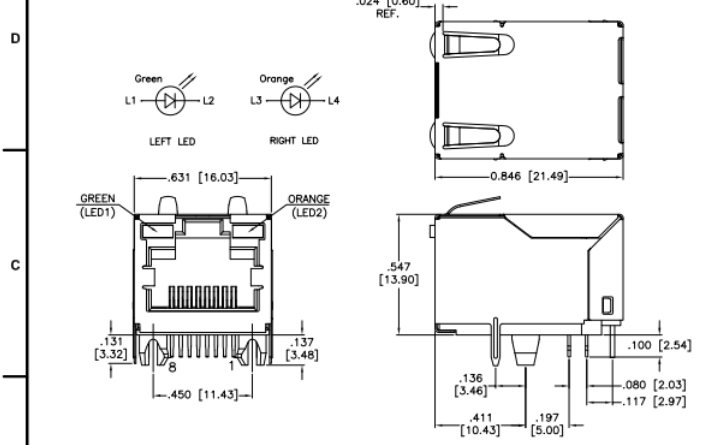
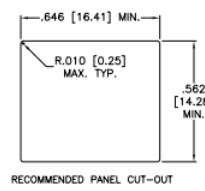
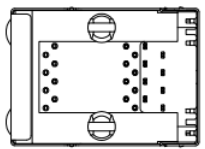


APPROVED: _____
 DATE: _____ TITLE: _____

Rev	AWO #	Description	Date	Appr
-		RELEASED	11/13/15	
A		ADDED PANEL CUTOUT CHANGED RIGHT LED AMBER TO ORANGE	11/13/15	SS
B		UPDATED SPECIFICATIONS	7/7/16	SS
C		UPDATED PANEL GROUNDS / SHIELD PINS	7/18/16	TW/GD



SPECIFICATIONS:
 Material:
 Insulator: Hi-temp thermoplastic, rated UL 94V-0
 Insulator color: Black
 Shield: Stainless Steel, with Tin Dip on Solder Tabs
 Contacts: Copper Alloy
 Contact Plating:
 Selective Gold plating for Mating Surface, 50u" Nickel under plate. 100u" Matte Tin plating on Contact Solder Tail
 Electrical:
 Operating voltage: 125 VAC
 Current rating: 1.25 Amps
 Insulation resistance: 500 Mohms min
 Dielectric withstanding voltage: 1000 VAC RMS 60Hz, for 1 minute
 Temperature Rating:
 Operating temperature: -40°C to +85°C
 Storage temperature: -40°C to +85°C
 Environmental:
 Recommended Solder Process: Wave Solder, peak temperature 260°C for 10 seconds.
 Mates with Modular Plug Conforming to TIA-1096 Standard
 Lead free, RoHS compliant.



CATEGORY 5E CHARACTERISTICS:

Frequency MHz	Near-End Cross talk dB, Min	Return Loss dB, Min	Insertion Loss dB, Max
1.0	65.0	30.0	0.10
4.0	65.0	30.0	0.10
8.0	64.9	30.0	0.10
10.0	63.0	30.0	0.10
16.0	58.9	30.0	0.20
20.0	57.0	30.0	0.20
25.0	55.0	30.0	0.20
31.25	53.0	30.0	0.20
62.5	47.1	24.1	0.30
100.0	43.0	20	0.40

UNLESS OTHERWISE SPECIFIED
 ALL DIMENSIONS ARE INCHES [MM]
 TOLERANCES: EXCEPT AS NOTED

INCHES		HOLES	
.X	±.10	ØX	±.10
.XX	±.020	ØXX	±.015
.XXX	±.015	ØXXX	±.010

ADAM TECH
 909 Rahway Avenue, Union, NJ 07083
 Phone: 908-687-5000 Fax: 908-687-5710

TITLE: MODULAR TELEPHONE JACK, 8P8C, PCB TYPE CAT 5E, W/ LED1 GREEN, LED2 ORANGE

DRAWN	AY	DATE	11/13/15
CHECKED	TW	DATE	11/13/15
APPROVED			

SIZE	PART NO.	REV.
X	MTJ-88TUX1-FS2-PG2T-L19-C5E-HT	C
REF:	S0010C	SCALE: NTS
		SHEET 1 OF 1

